

Ready-to-install sauna bench modules – a quick and easy solution

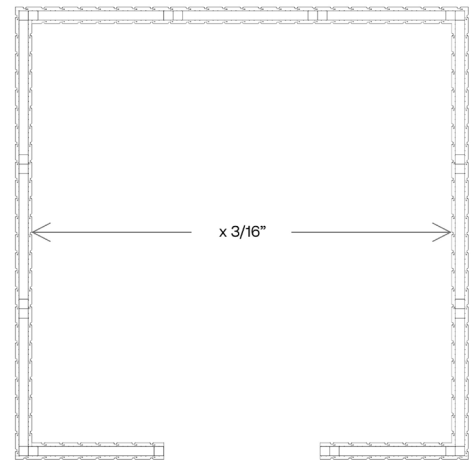
Treat all the wooden parts of the sauna bench with a wood preservative to protect the wood from moisture. It's more convenient to treat the sauna bench modules prior to installation.

The manufacturer cannot be held responsible for any damage caused by the modules not being correctly installed or treated.

INSTALLATION PROCESS

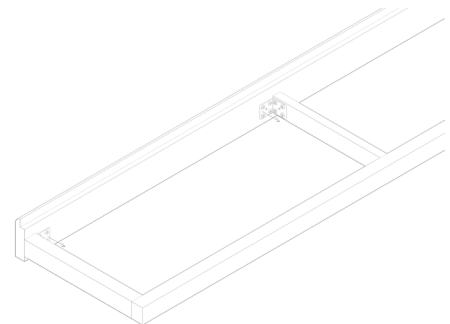
1. Measure the space

To determine the required length of the sauna bench module, measure the sauna room where you intend to install it, accounting for a gap of at least 3/16" between the bench and the wall at both ends of the bench module.



2. Detach the frontboard from the frame

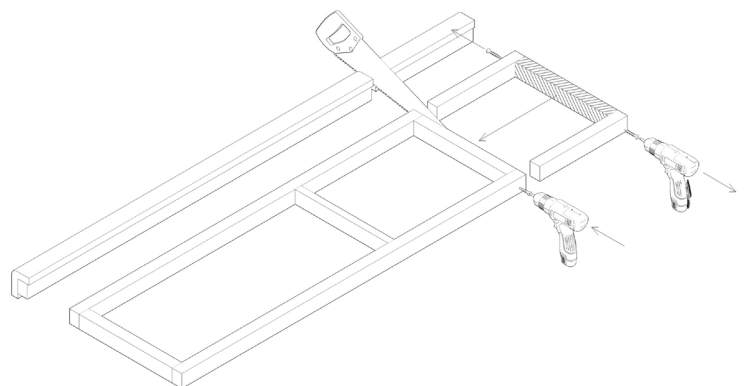
Loosen the screws that fasten the frontboard of the bench to the frame.



The frontboard is screwed onto the frame using angle connectors

3. Adjust the length of the frame

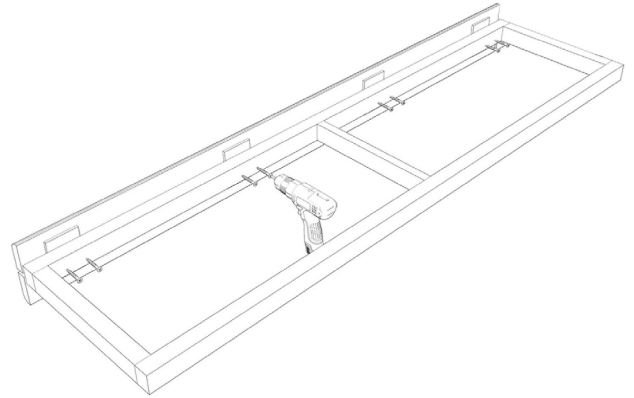
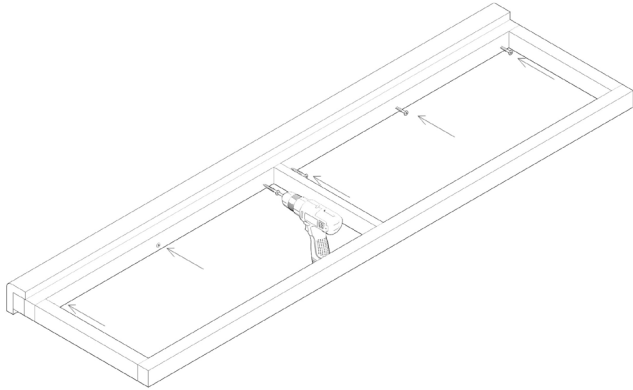
Unscrew the short piece of wood from one end of the sauna bench frame and attach it in the correct location for the required length of the bench. Then, saw the frame and the frontboard to the correct length. Finally, use the screws that were removed previously to fasten the end piece back onto the newly cut end of the frame.



4. Attach the frontboard to the frame

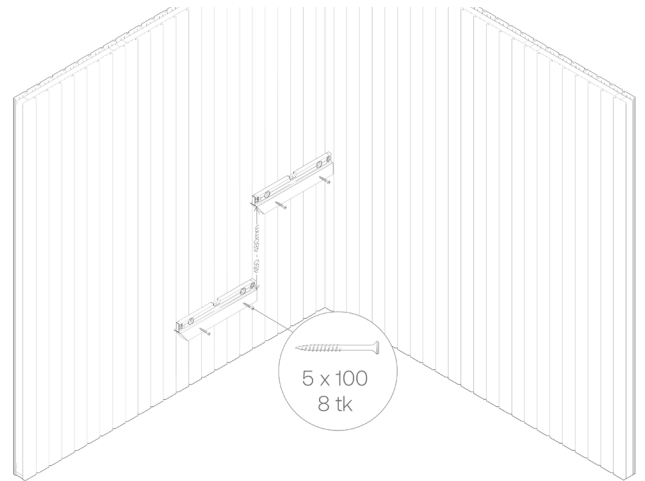
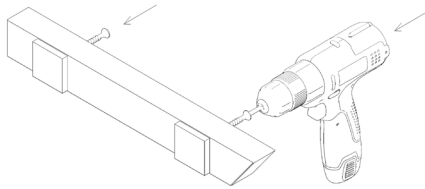
Attach the frontboard back onto the frame, using the screws that were removed earlier to fasten it.

Fasten the frontboard onto the frame using #10 x 2 (5 x 70mm) screws. If necessary, fasten an additional piece of plywood to the frontboard using 0.16 x 1.2 in (4 x 30mm) screws.



5. Install the bench supports

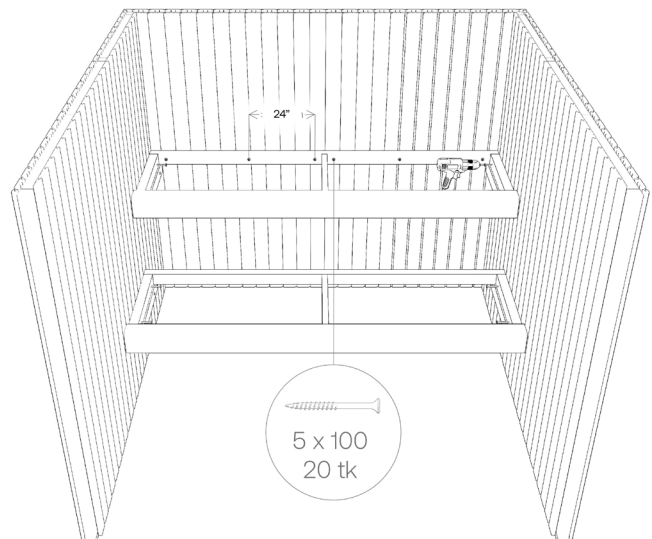
Fasten the bench supports to the walls, using a pair of #10 x 4 (5 x 100mm) screws for each support. Ensure that for each bench, both supports are installed at the same height from the floor.



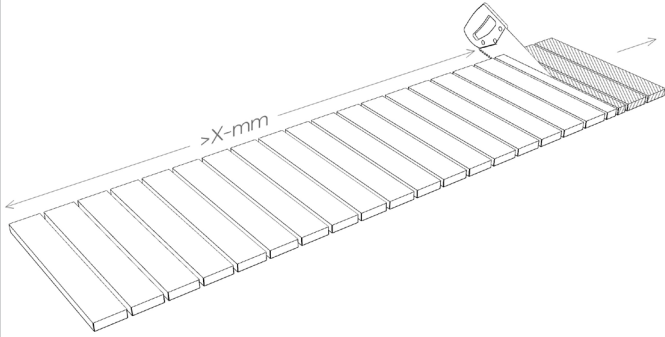
The raised parts on the outer edges of the supports enable ventilation between the wall and the sauna bench module.

6. Install the frame

Place the frame of the sauna bench module on the bench supports and attach it to the wall with screws, making sure to fasten the back of the frame to the wall and not just the ends. Use all of the remaining #10 x 4 (5 x 100mm) screws; the distance between screws must not exceed 24". Depending on the design of the sauna room, longer screws may be required.



7. Cut the bench grate to size



Use a saw to cut the sauna bench grate to the correct length.

9. Install a support beneath the bench

It is recommended to add a wooden support (not included in the sauna bench module package) between the sauna bench and the floor to support the frame. One support, with a minimum cross section of 1" x 1½", should be installed in the center of each sauna bench.

8. Install the bench grate

Place the sauna bench grate onto the frame.

