

Product information and
installation guide



The optical illusion that makes your walls talk

A wall can be so much more than a flat surface. Thermory's Rhomb Tiles instantly transform any wall beyond just a structural element. The combination of geometric patterns creates the illusion of space, offering unlimited interior design opportunities. Whether you use it to create a timelessly classic style or a hypnotic accent effect, Rhomb is a modern and sustainable product with virtually no wood wasted in production, ensuring the materials are used to their fullest potential.



**THERMALLY
MODIFIED WOOD**



**QUALITY
MATERIALS**



SUSTAINABLE



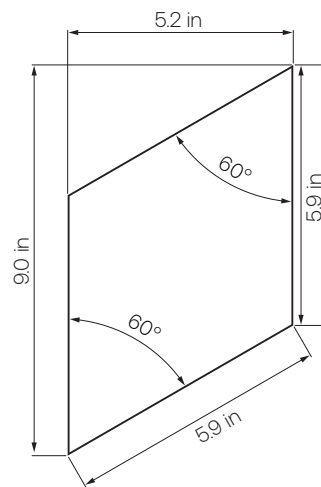
**REAL WOOD
PRODUCTS**



PRODUCT INFORMATION

5.2 x 9.0 x 0.33 in
54 pieces, 11.8 ft² per pack

Rhomb Tiles enable two different patterns, zigzag and cube, or the combination of the two.



1. Storage



It's best to store the tiles in the room where they'll be installed for a few weeks prior to installation. This allows the wood to acclimate to the temperature and humidity in the room.



To enable air movement between the tiles, store them in an opened package and on a flat surface above the floor.

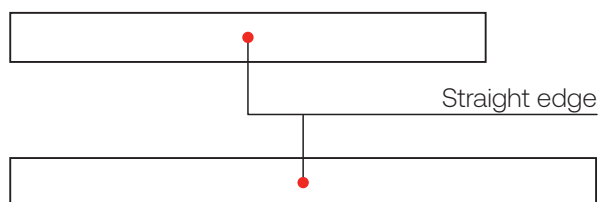
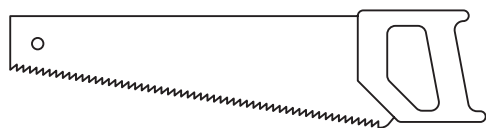
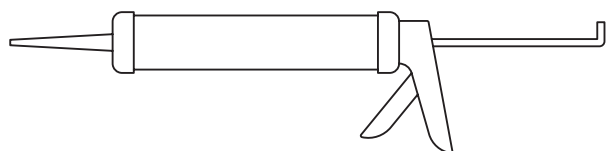


The tiles must be stored at the same temperature they will be installed at. The ideal storage temperature is 59–72 °F.



If there is a radiator or other heat source in the room where the tiles are stored, make sure the humidity level does not rise too high and the temperature does not exceed 77 °F.

2. Preparing for installation



Before installation, decide which pattern you want to install your Rhomb Tiles in (see next page).



Before starting work, prepare the following tools: fast setting wood adhesive like Loctite® Power Grab® or Loctite® PL Premium Fast Grab®, saw, sandpaper / sanding block, two straight edges.



Interior wall tiles should be installed as part of the finishing works for a living area. When planning your construction sequence, keep in mind that the tiles will not tolerate humidity changes during construction.



Any wet operations must be performed before installing the tiles. Performing wet operations after installation will cause the tiles to absorb moisture and swell.



Make sure you have enough material, as slight color variations can occur between tiles.



Tiles can have a slight cupping of up to 0.06 in. Put the cupped tiles aside and use them for sawing edge and corner elements.

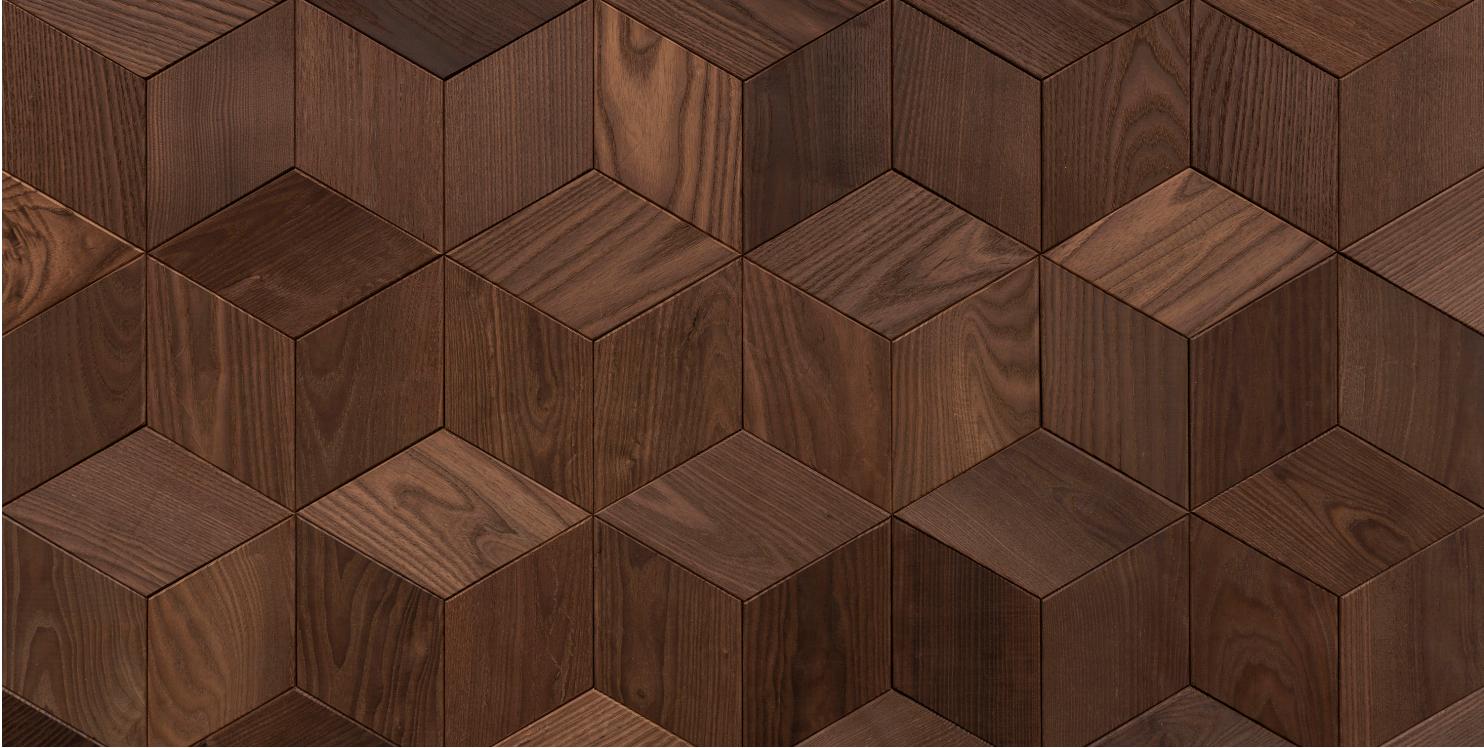
3. Installation

3.1 CHOOSE THE LAYOUT

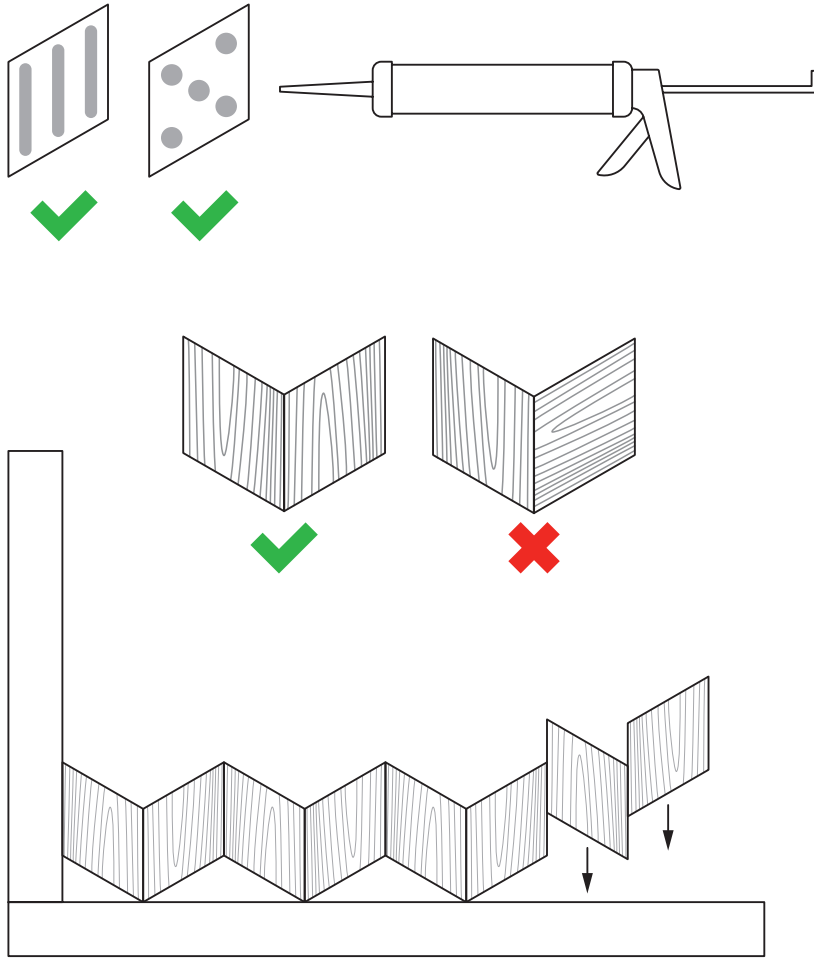
Layout A: Zigzag



Layout B: Cube



3.2 INSTALL THE FIRST ROW



The process of installing the first row is the same whichever pattern you have chosen, zigzag or cube.



Clean the wall to ensure the glue can bond with the surface.



Place two straight edges on the wall, one horizontally and one vertically. This will ensure a 90-degree angle in the tiled area and prevent gaps appearing between the tiles.



Add dots or stripes of glue on the back sides of the tiles.

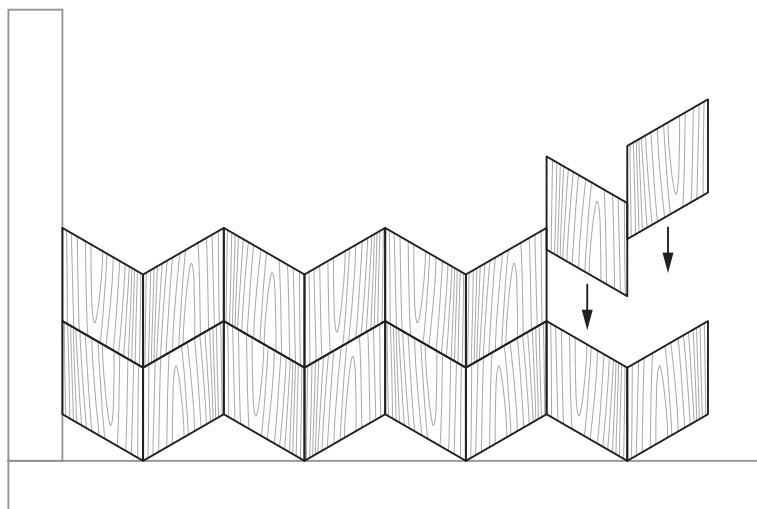


Note that by wood grain direction, there are two types of tiles. When assembling tiles for the first row, make sure the wood grain on all tiles runs vertically.

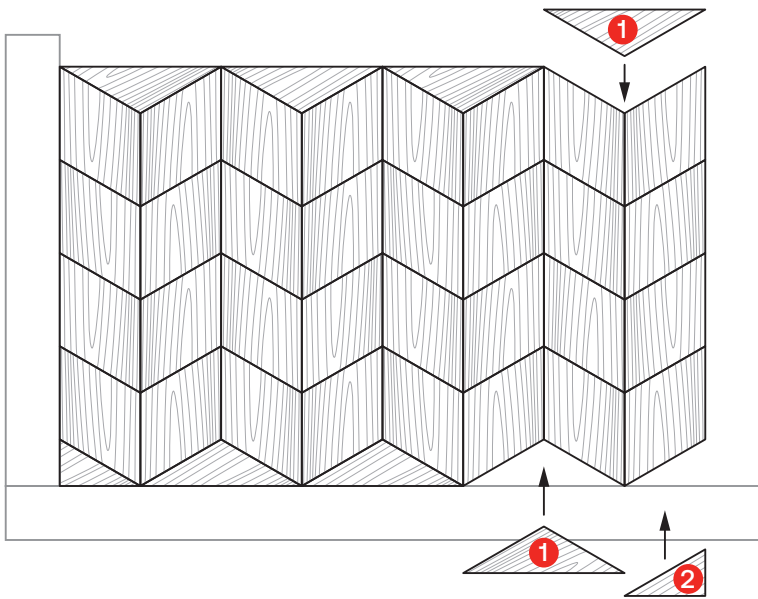


Glue the first row of tiles in place, as shown.

3.3A INSTALLING THE ZIGZAG PATTERN

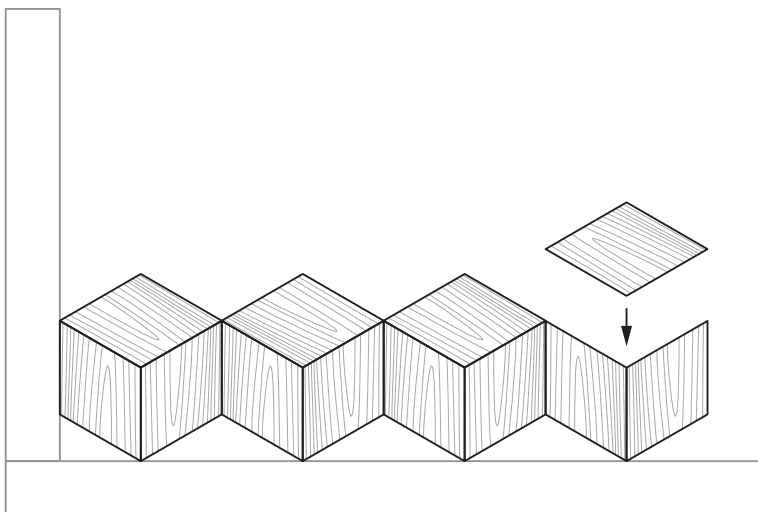


Install the second row directly above the first row, using the same method.

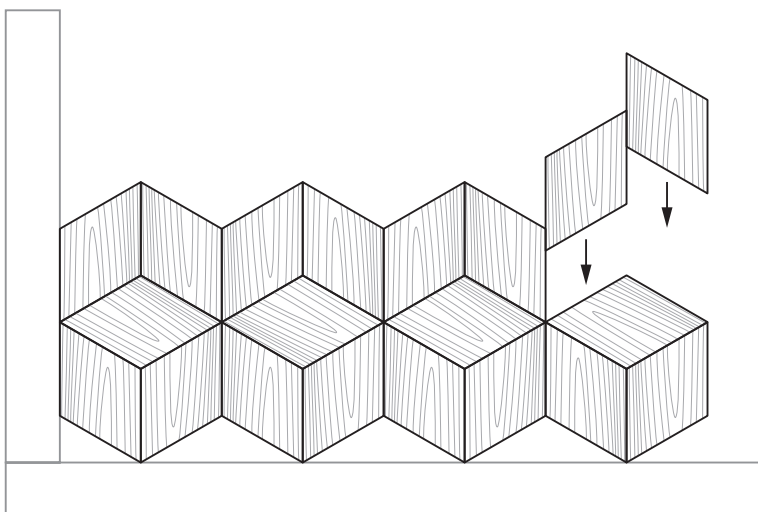


Continue adding rows until the desired height is reached. Then, cut and install the edge tiles (see 4. Sawing edge tiles).

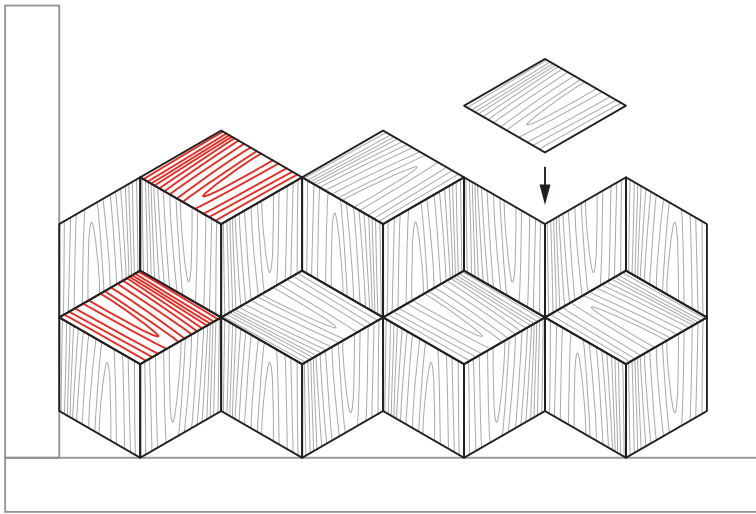
3.3B INSTALLING THE CUBE PATTERN



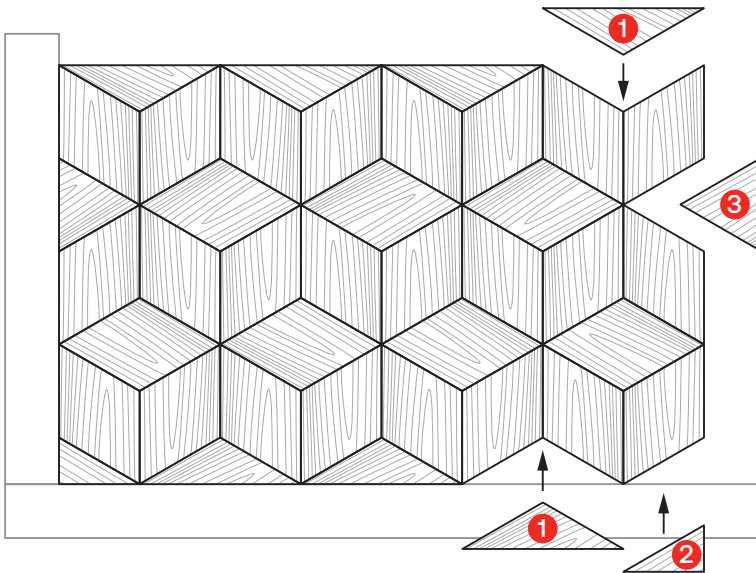
Install the second row, placing the tiles horizontally. Make sure the wood grain runs in the same direction across the whole row (e.g. diagonally down).



Install the third row similarly to the first, with the wood grain running vertically on all tiles.

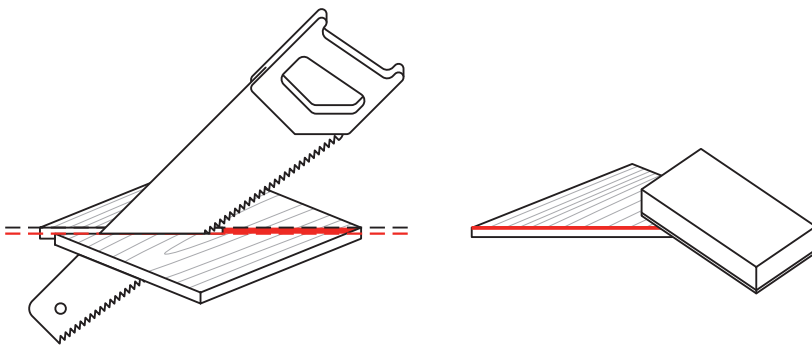


Install the fourth row of tiles horizontally. This time, the grain should be the opposite way around to the second row, so if that row is installed with the grain running diagonally down from left to right, the grain on this row will be running diagonally up.



Cut and install the edge tiles (see 4. Sawing edge tiles).

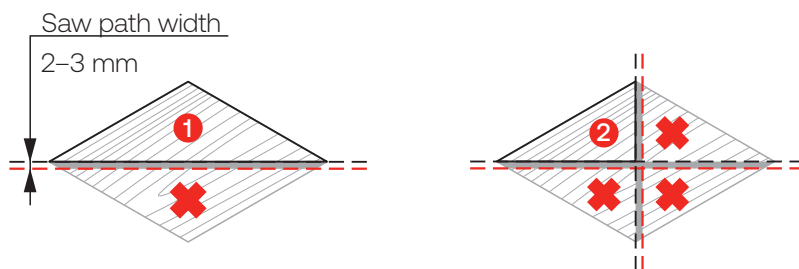
4. Sawing edge tiles



Use a fine-toothed hand saw to cut the edge tiles, then sand the sawn edges with a sanding block or sandpaper.

When sawing, remember that the cut line must be completely outside the boundaries of the desired shape. Therefore, only one edge tile can be obtained from a single tile.

When measuring and cutting edge tiles, take care to ensure that the wood grain is correctly aligned to keep your pattern consistent.



Thermory USA - Buffalo
56 Harvester Ave, Ste. 1-201
Batavia, NY 14020
585.591.6590
support@thermoryusa.com

Last updated: October 2024
All previous versions are null and void.

→ [ThermoryUSA.com](https://www.thermoryusa.com)

