

THERMORY®

HERRINGBONE BY THERMORY® decking combines the dimensional stability, durability, rich dark tone and gorgeous grain of Benchmark Ash with the stunning herringbone design. It's installation is easy and quick too, requiring less than a third of the time that would normally be needed.

These installation guidelines are purely informative and based on the best knowledge currently available, and they should be used accordingly. We advise you to follow the regulations of your country where they conflict with the general recommendations found in this guide.

Installation Guide

1. Herringbone by Thermory
2. Storage
3. Framing a deck properly and avoiding moisture damage
4. Positioning joists
5. Installing modules
6. Adding starter and end cap modules
7. Fastening modules with screws

Decking Modules

8. Finishing the edges
9. Using starter module rest piece on opposite side
10. Edge board must be mounted flush with decking
11. Decking Maintenance
12. Herringbone decking modules order guide



HERRINGBONE
by THERMORY®

Herringbone Benchmark Ash Decking
Private Home, Estonia. Photo by Aivo Kallas



1. Herringbone by Thermory decking modules

Create an elegant herringbone patterned deck with ease.



The Thermory Herringbone decking modules match up perfectly so that you can effortlessly create an even herringbone pattern.



The starter and end cap modules make it easy to install the start and end of each row.

They are sold separately from the main decking modules so you can order what you need to build a decking area with the required size.



The mounting strips align the boards, making installation easy.



Stainless-steel screws are included with the decking modules.

Using the correct installation and maintenance techniques will result in the most beautiful and long-lasting Thermory decking.



THERMALLY MODIFIED WOOD

Naturally enhanced using only heat & steam



STABILITY

Dimensionally stable in changing weather conditions



WALK BAREFOOT

The decking doesn't overheat in the sun



HIGH DURABILITY

Thermo-ash for 25+ years of rot resistance



SUSTAINABLE

Responsibly harvested and chemical-free modification



EASY INSTALLATION

Ingeniously simple fixing methods

HERRINGBONE BY THERMORY decking modules

MAIN MODULE SIZE: 1.1 x 32 x 19.6 in

MAIN MODULE PACKAGE CONTENTS:

Four Herringbone main modules (covering 17.2 sq ft), stainless steel screws, installation instructions

ADDITIONAL PARTS INCLUDED IN EVERY

OTHER BOX: One spacer wedge and two strips for fixing on the back of modules to install the edge piece

STARTER AND END CAP MODULE SIZE:

1.1 x 32 x 15.5 in

STARTER AND END MODULE PACKAGE CONTENTS:

Two start modules and two end cap modules, stainless steel screws. For two rows of main modules



2. Storage

Whenever possible, Thermory decking boards should be stored inside. The decking should be kept away from sunlight as UV rays will cause the color to fade. If kept outside, the boards should be elevated at least 6" from the ground, stacked evenly, and protected with a waterproof, light-impermeable cover.

Leave the ends of the cover unfastened to provide ventilation while avoiding moisture damage. Thermory decking should never be left in the rain or exposed to excess moisture when in its original packaging, as it will not dry properly when tightly packaged.

If possible, store the boards at the installation site for a few weeks prior to installation to allow them to acclimatize to the moisture conditions, using a protective cover to prevent moisture damage.

3. Framing a deck properly and avoiding moisture damage

WATCH THE
INSTALLATION VIDEO



Framing

Thermory Herringbone requires very special joist spacing. Follow the instructions thoroughly prior to construction. For framing, reference pg. 4 for specific guidelines on deck lengths and width sizes.

Herringbone decking must be laid on leveled joists.

We recommend using No. 1 KDAT pressure treated or fiberglass joists.

Avoiding moisture damages

Good drainage is essential in order to direct water away from the structure. Make sure the ground beneath your decking is at a sufficient angle to avoid water pooling.

It is important that air can circulate underneath the decking. Do not allow moisture to become trapped beneath it.

Decking boards should lay at least 4 in above the ground. If possible, shim the joists to allow air circulation and drying.

The ends and sides of the Thermory deck must be left open to allow air circulation. When using fascia boards, install them with air gaps and leave a space of at least 2 in from the ground. When the decking is next to a wall, we

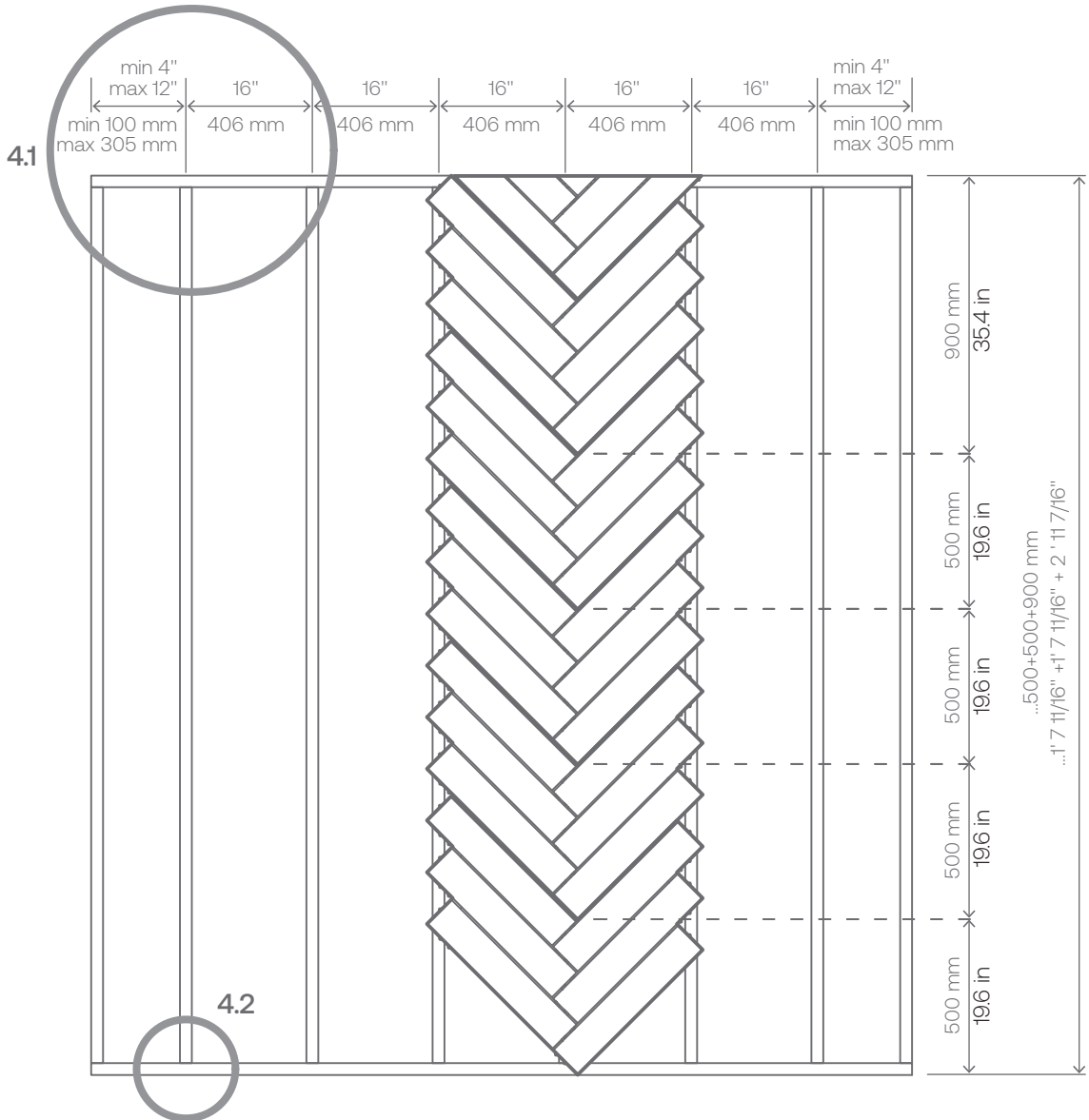
suggest leaving a gap of at least 0.25 in between the wall and the decking.

Wood must not be in direct contact with wood.

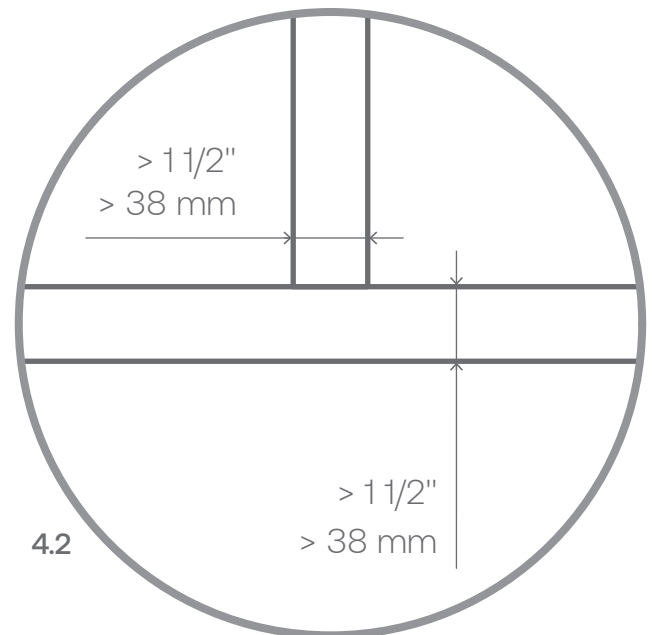
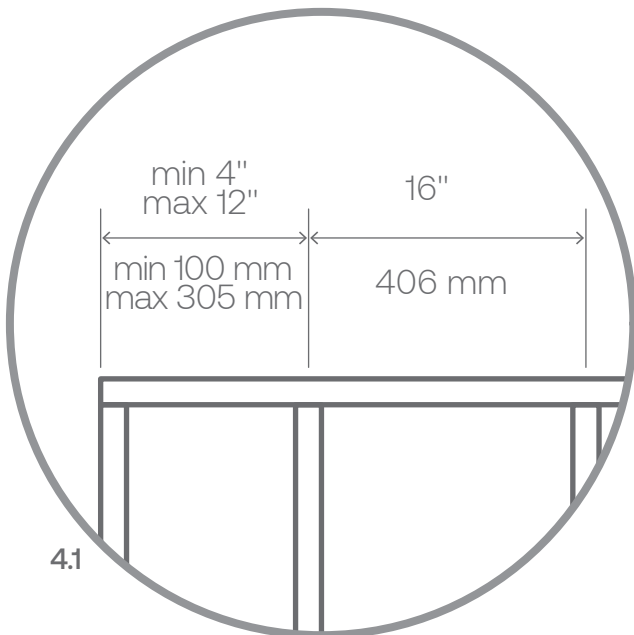
We suggest covering the tops of the joists with butyl joist tape to avoid moisture damage.



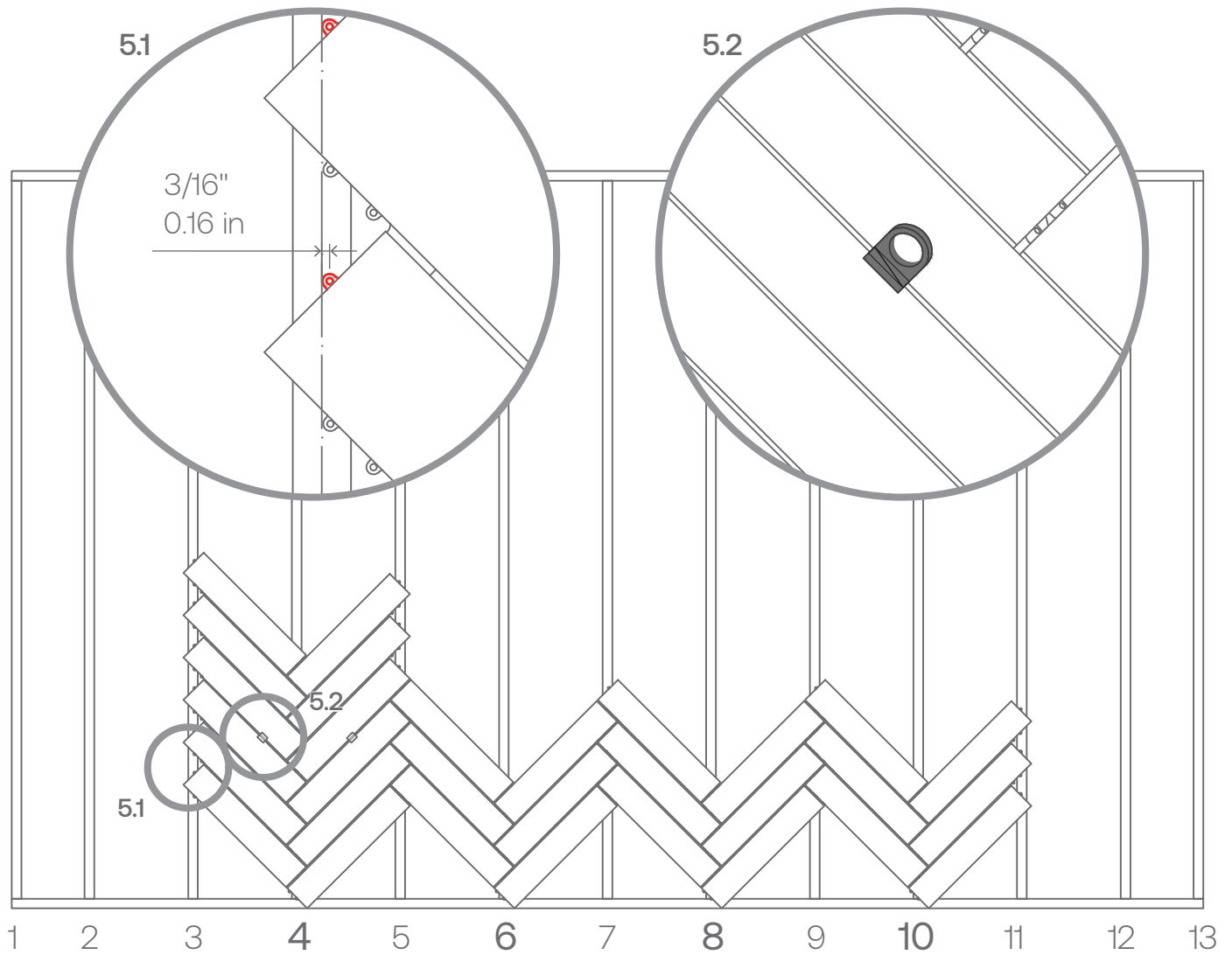
4. Positioning joists



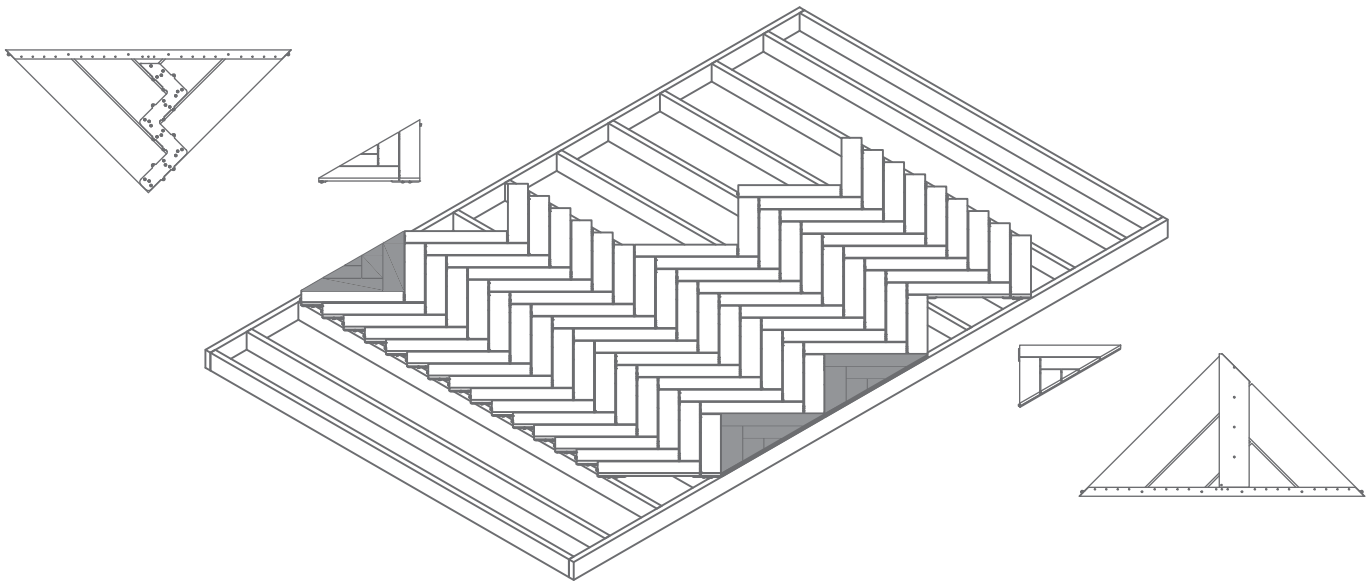
*These dimensions need to be in multiples for the Herringbone pattern to be completed properly.



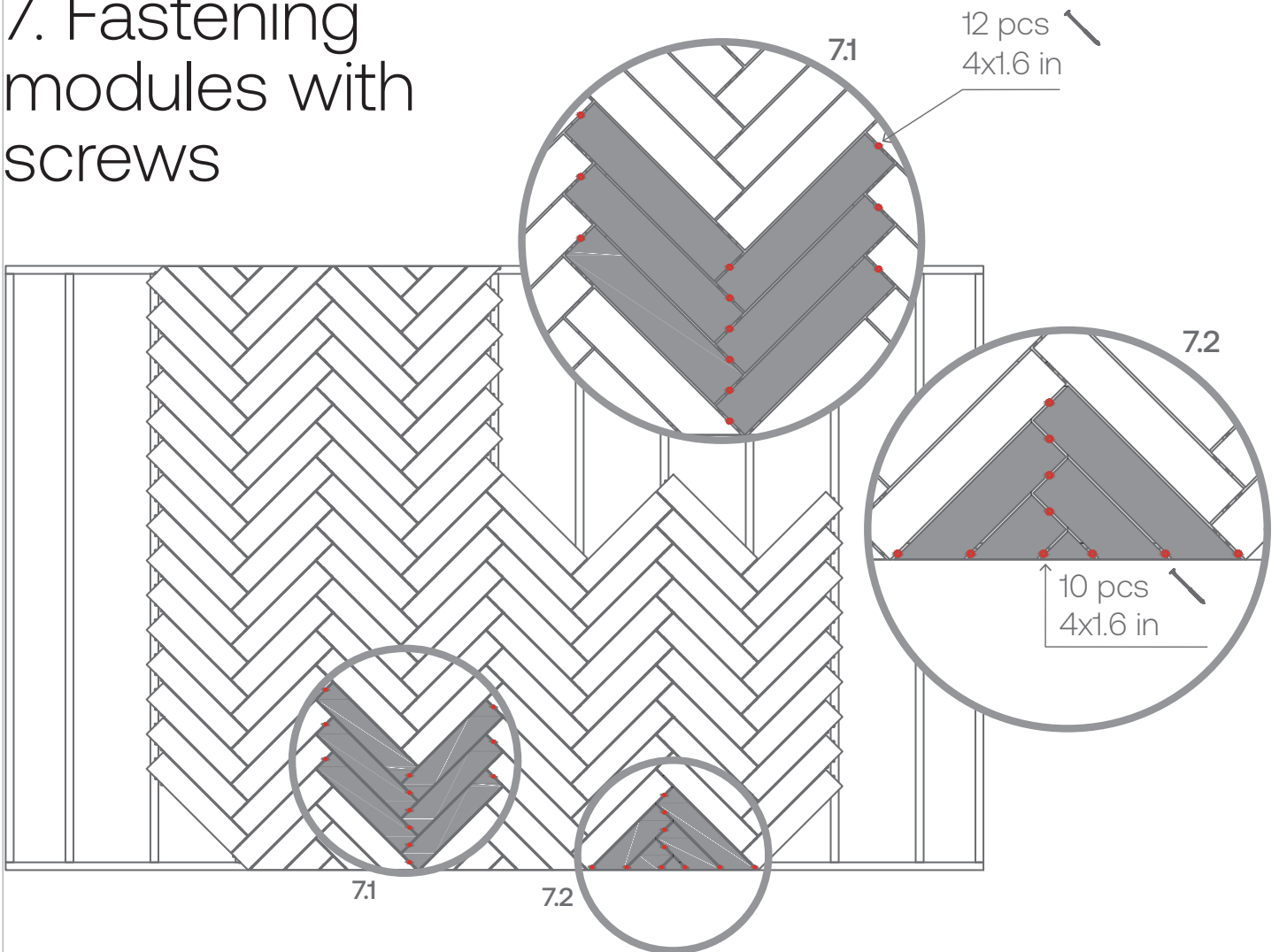
5. Installing modules



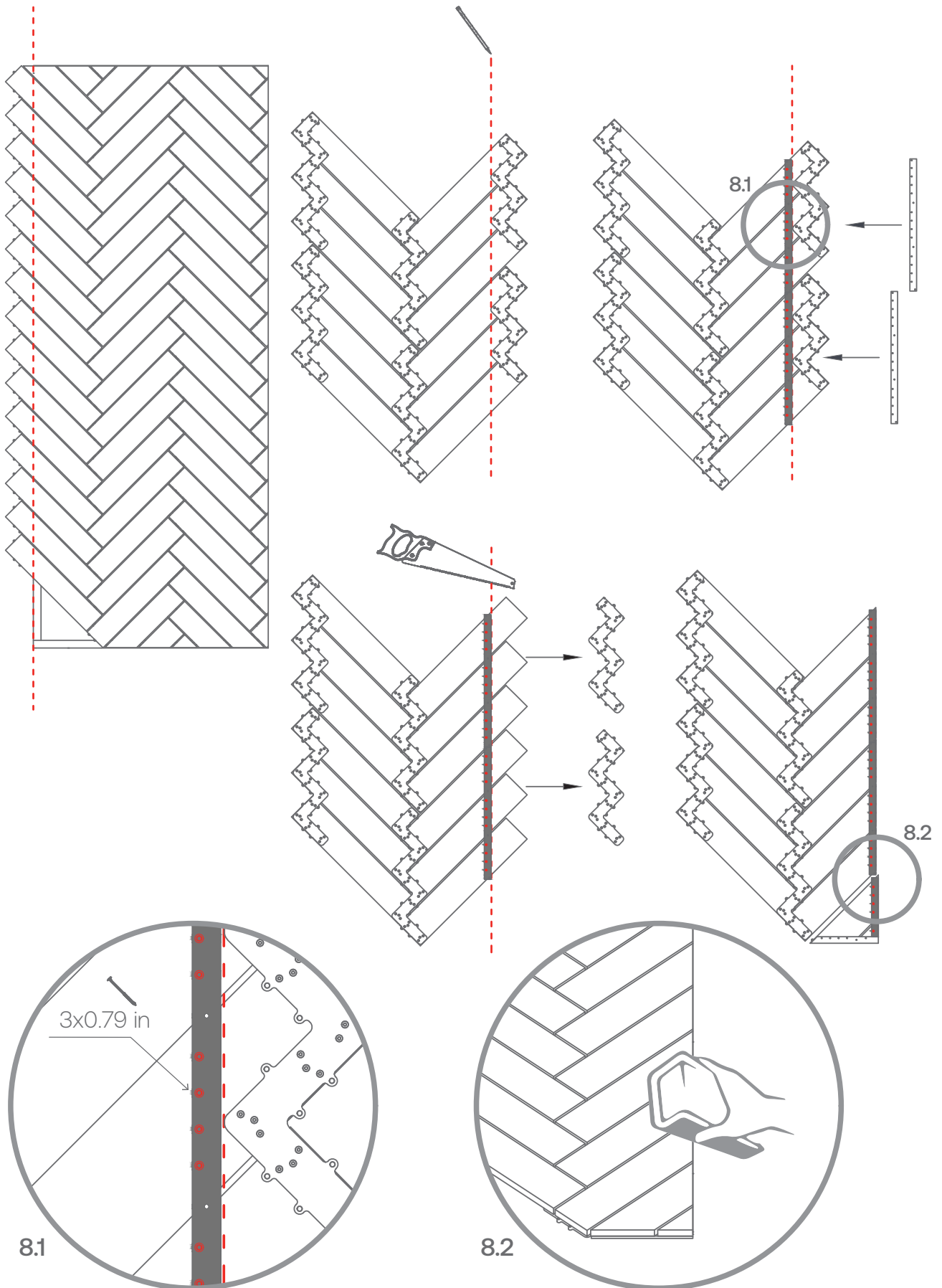
6. Adding starter and end cap modules



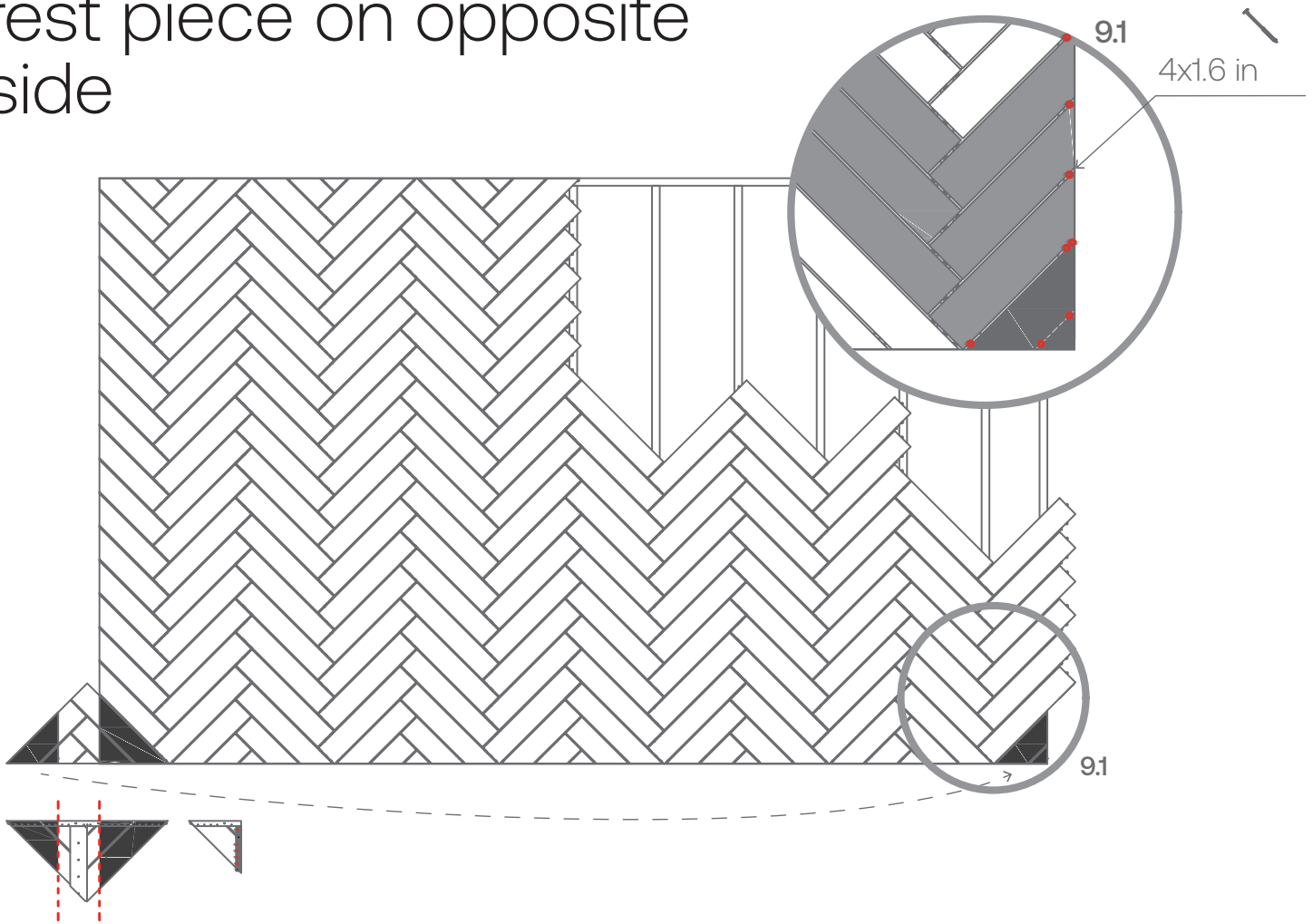
7. Fastening modules with screws



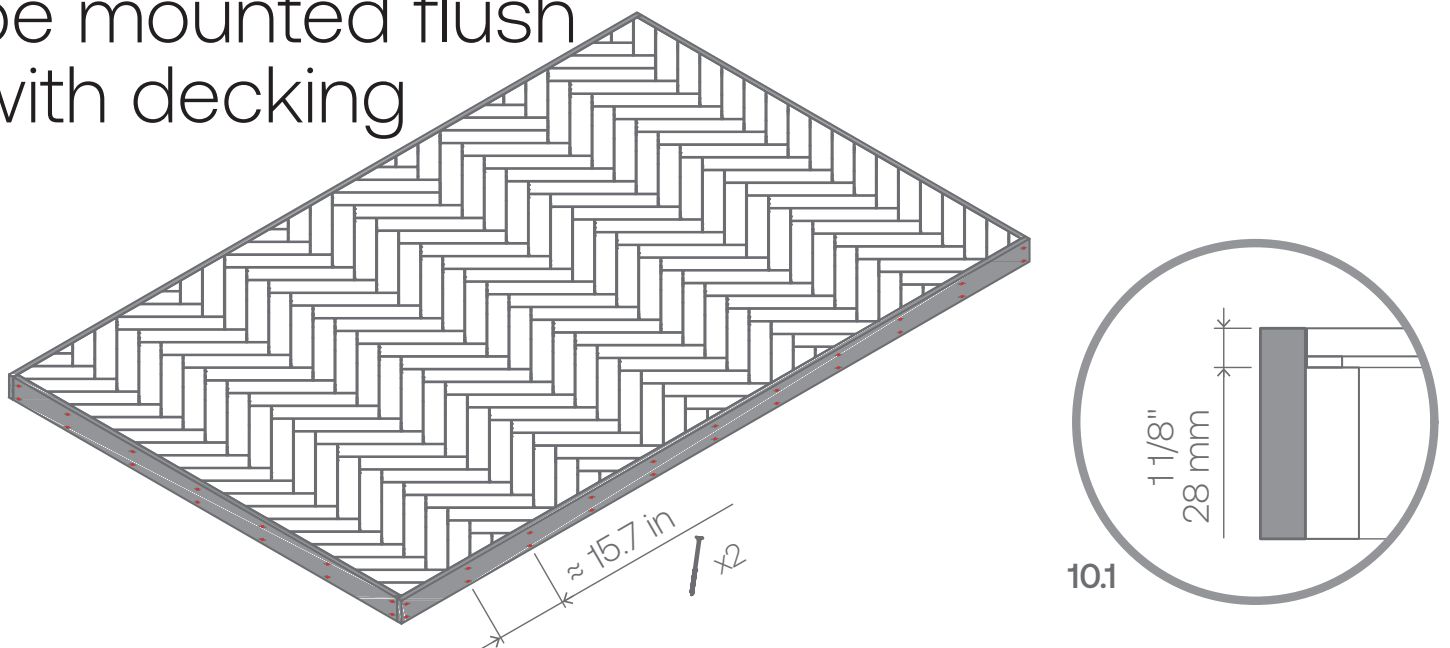
8. Finishing the edges



9. Using starter module rest piece on opposite side



10. Edge board must be mounted flush with decking



11. Decking maintenance

After installing your decking, it is important to keep its surface free of leaves, needles and other moisture-retaining debris that can promote mold.

Please follow the [Thermory Maintenance and Care Guide](#) for more detailed tips.

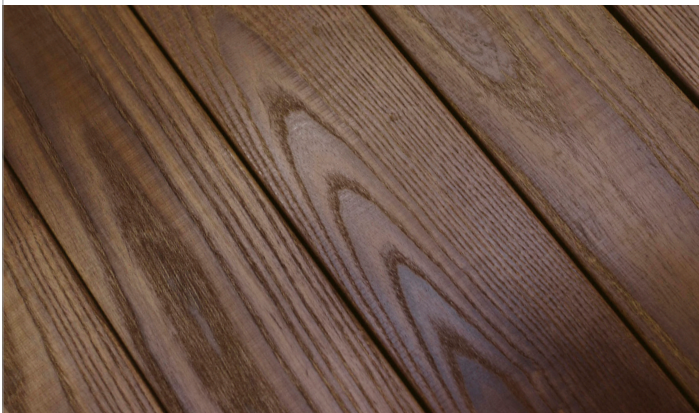
Like any wood products, thermally modified wood will also turn gray over time

This process starts immediately after the products are installed and takes from a few months to a few years, depending on the effects of UV radiation.

• To reduce discoloration or freshen up their appearance, Thermory boards can be protected by coating them with a UV-resistant pigmented mineral oil. The use of organic oils

is not recommended outdoors or in damp rooms, as they contain substances that provide a source of nutrition for biological organisms, such as bacteria, mold, etc.

• If you want the wood to turn gray over time while still minimizing natural cracking, finish the wood with a pigment free oil.



Benchmark Ash after installation



Benchmark Ash, aged and unsealed



12. Herringbone decking modules order guide



		DECK WIDTH (MEASURED FROM THE FIRST JOIST TO THE LAST ONE) UP TO:																		
IMPERIAL		2'	4' 8"	7' 4"	10'	12' 8"	15' 4"	18'	20' 8"	23' 4"	26'	28' 8"	31' 4"	34'	36' 8"	39' 4"	42'	44' 8"	47' 4"	
MM		610	1 422	2 235	3 048	3 861	4 674	5 486	6 299	7 112	7 925	8 738	9 550	10 363	11 176	11 989	12 802	13 614	14 427	
AMOUNT OF JOISTS		3	5	7	9	11	13	15	17	19	21	23	25	27	29	31	33	35	37	
		HERRINGBONE STARTER MODULE AND END CAP MODULE BOXES (2 PCS + 2 PCS IN A BOX). BOXES TO BE PURCHASED:																		
		1	1	2	2	3	3	4	4	5	5	6	6	7	7	8	8	9	9	
		HERRINGBONE MAIN MODULE BOXES (4 PCS IN A BOX). BOXES TO BE PURCHASED:																		
		1	1	1	1	2	2	2	2	3	3	3	3	4	4	4	4	5	5	
DECK LENGTH (MEASURED ALONG THE LENGTH OF EACH JOIST) UP TO:	IMPERIAL	MM	1	1	1	1	2	2	2	2	3	3	3	3	4	4	4	4	5	5
	2' 11 1/2"	900	1	1	2	2	3	3	4	4	5	5	6	6	7	7	8	8	9	9
	4' 7 1/8"	1 400	1	2	3	3	4	5	6	6	7	8	9	9	10	11	12	12	13	14
	6' 2 3/4"	1 900	1	2	3	4	5	6	7	8	9	10	11	12	13	14	15	16	17	18
	7' 10 1/2"	2 400	2	3	4	5	7	8	9	10	12	13	14	15	17	18	19	20	22	23
	9' 6 1/8"	2 900	2	3	5	6	8	9	11	12	14	15	17	18	20	21	23	24	26	27
	11' 1 7/8"	3 400	2	4	6	7	9	11	13	14	16	18	20	21	23	25	27	28	30	32
	12' 9 1/2"	3 900	2	4	6	8	10	12	14	16	18	20	22	24	26	28	30	32	34	36
	14' 5 1/4"	4 400	3	5	7	9	12	14	16	18	21	23	25	27	30	32	34	36	39	41
	16' 7/8"	4 900	3	5	8	10	13	15	18	20	23	25	28	30	33	35	38	40	43	45
	17' 8 5/8"	5 400	3	6	9	11	14	17	20	22	25	28	31	33	36	39	42	44	47	50
	19' 4 1/4"	5 900	3	6	9	11	14	17	20	22	27	30	33	36	39	42	45	48	51	54
	21'	6 400	4	7	10	13	17	20	23	26	30	33	36	39	43	46	49	52	56	59
	22' 7 5/8"	6 900	4	7	11	14	18	21	25	28	32	35	39	42	46	49	53	56	60	63
	24' 3 3/8"	7 400	4	8	12	15	19	23	27	30	34	38	42	45	49	53	57	60	64	68
	25' 11"	7 900	4	8	12	16	20	24	28	32	36	40	44	48	52	56	60	64	68	72
	27' 6 5/8"	8 400	5	9	13	17	22	26	30	34	39	43	47	51	56	60	64	68	73	77
29' 2 3/8"	8 900	5	9	14	18	23	27	32	36	41	45	50	54	59	63	68	72	77	81	
30' 10"	9 400	5	10	15	19	24	29	34	38	43	48	53	57	62	67	72	76	81	86	
32' 5 3/4"	9 900	5	10	15	20	25	30	35	40	45	50	55	60	65	70	75	80	85	90	
34' 1 1/2"	10 400																			

boxes

boxes

EXAMPLE: A deck 21' long and 18' wide requires 4 start module boxes and 21 main module boxes.

Starter modules and end cap modules have to be purchased separately from the main modules as noted in table above. As a standard practice with any decking product always purchase 5% more to compensate for material loss due to installation procedures and subconstruction imperfections.



HERRINGBONE
by THERMORY®

Thermory USA - Buffalo
56 Harvester Ave, Ste. 1-201
Batavia, NY 14020
585.591.6590
support@thermoryusa.com

Last updated: June 2024
All previous versions are null and void

→ [ThermoryUSA.com](https://www.thermoryusa.com)



THERMORY®
LEAVE A LASTING IMPACT

Herringbone Benchmark Ash Decking
Private Home, Estonia. Photo by Aivo Kallas

