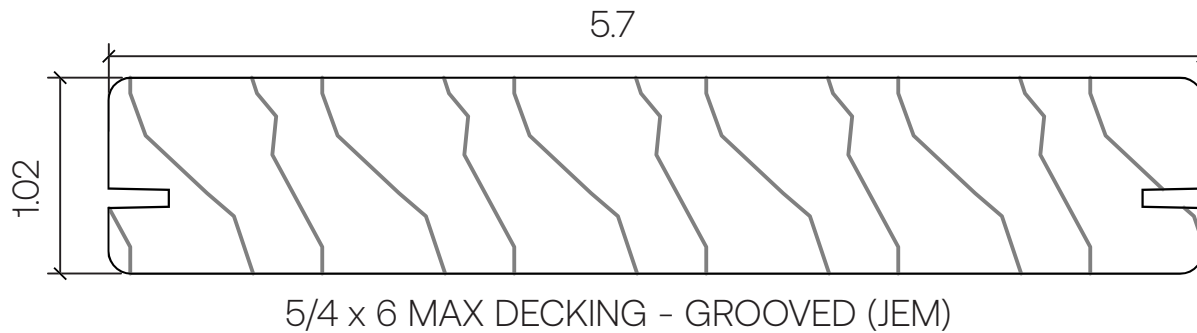
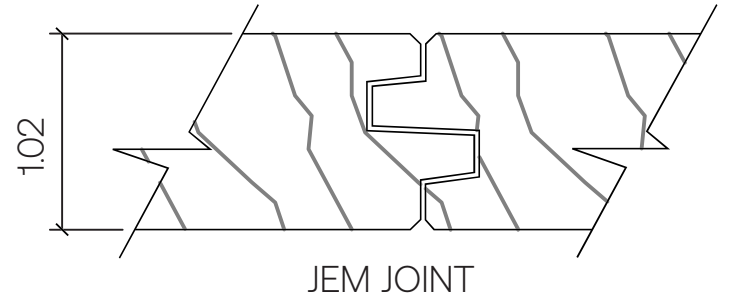


BENCHMARK RED OAK



Profile Type: Red Oak Decking
Sizing: 5/4 x 6 MAX DECKING - GROOVED (JEM)
Installation: T6 Hidden Clip
Scale: 1'-0" = 1'-0"