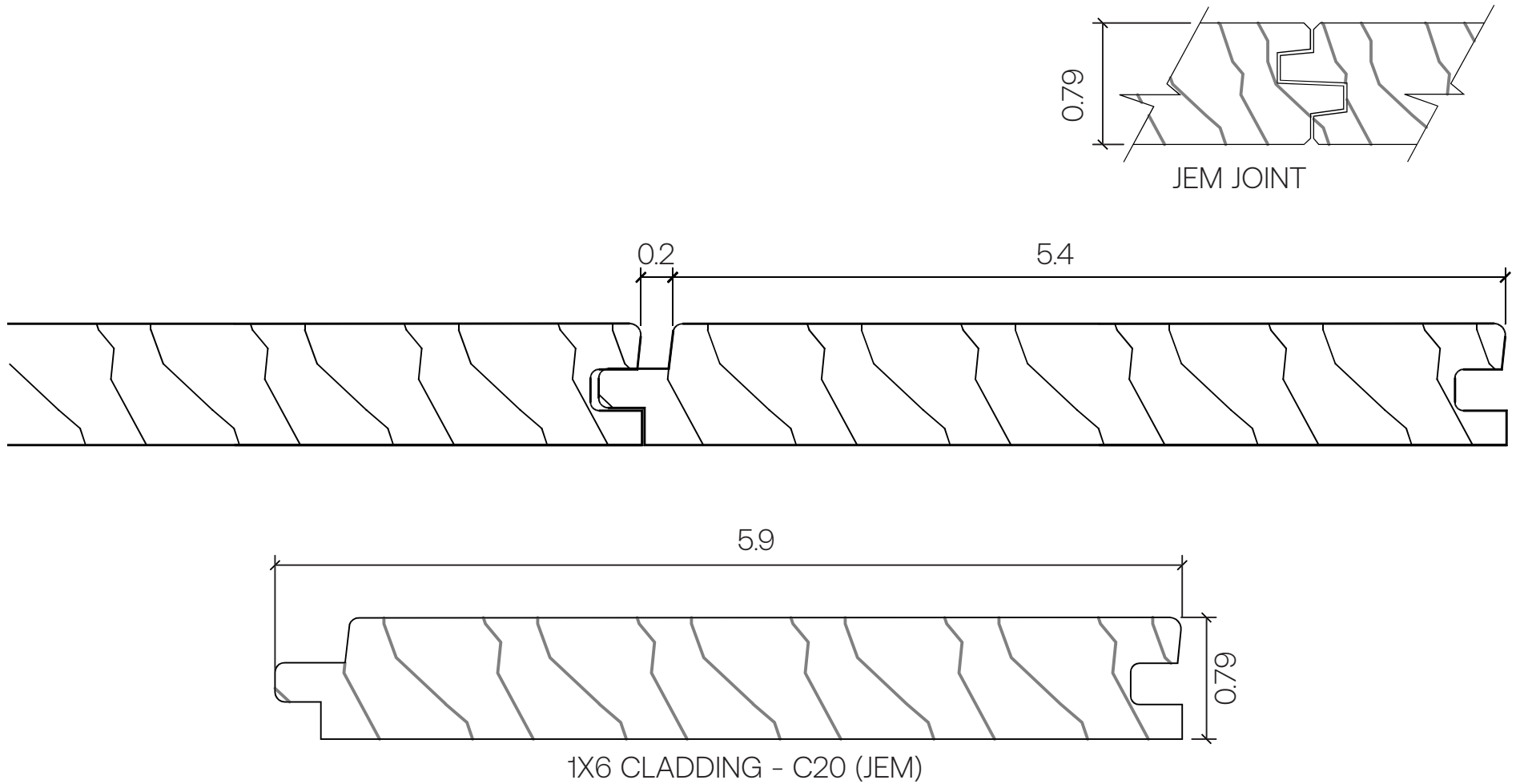


# BENCHMARK ASH



**Profile Type:** White Ash Cladding  
**Sizing:** 1X6 CLADDING - C20 (JEM)  
**Installation:** 60 mm FG Screw  
**Scale:** 1'-0" = 1'-0"